



ir33+ Wide High Efficiency Solution for Embraco Fullmotion Compressor



ir33+ Wide Fullmotion for Embraco Fullmotion compressors simplifies the use and management of variable speed compressors for all customers on the commercial refrigeration market.

Simple to use

Significant variations in compressor capacity and enormous energy reductions can be easily achieved by setting a couple of parameters.

The dedicated PWM frequency output and simple parameter configuration can be used to configure an individual speed table for:

- plug-in islands and units
- catering and professional equipment
- ice cream coolers
- small cold rooms
- wine coolers
- showcases

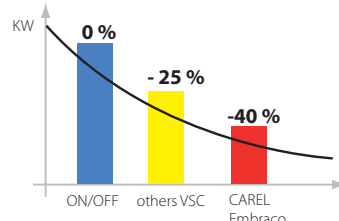
Complete solution

All the knowledge and experience we have acquired from the market and our current ir33+ platform are included and combined together in this controller. Temperature, defrost and fans are managed, functions that are already appreciated on the market. New features in this range are:

- Embraco Fullmotion management
- Special hot gas defrost management
- Pull Down management

High performance

Due to the high efficient Embraco Fullmotion compressor and the use of our ir33+ Wide Fullmotion, significant reductions in energy consumption can be achieved.



- huge OPEX reduction
- up to 40% energy savings
- fast cooling by Pull Down management
- system and temperature stability
- noise reduction with BLDC technology
- precise defrost management
- eco friendly with the use of natural refrigerant



Configuration

The controller has 3 relays and 1 x 0 – 12V PWM output especially for the Embraco Fullmotion compressor inverter.
 2 NTC probes and 2 digital inputs (configurable as probes)
 The AUX relay is configured as “Drain Heater”

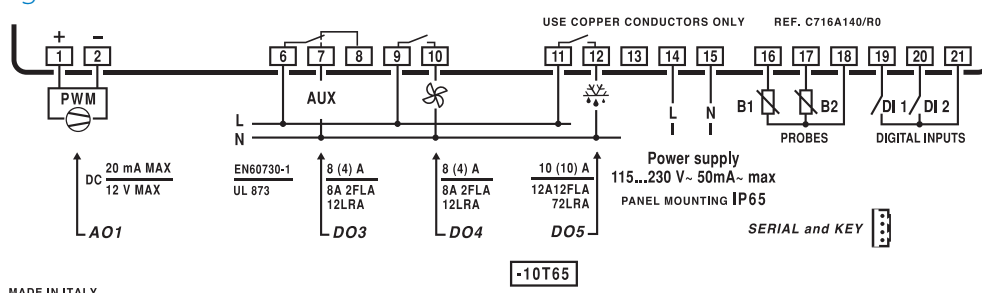
Display

The temperature display is as standard with our 27% bigger 7-segment LED pure green display.

Table of part numbers

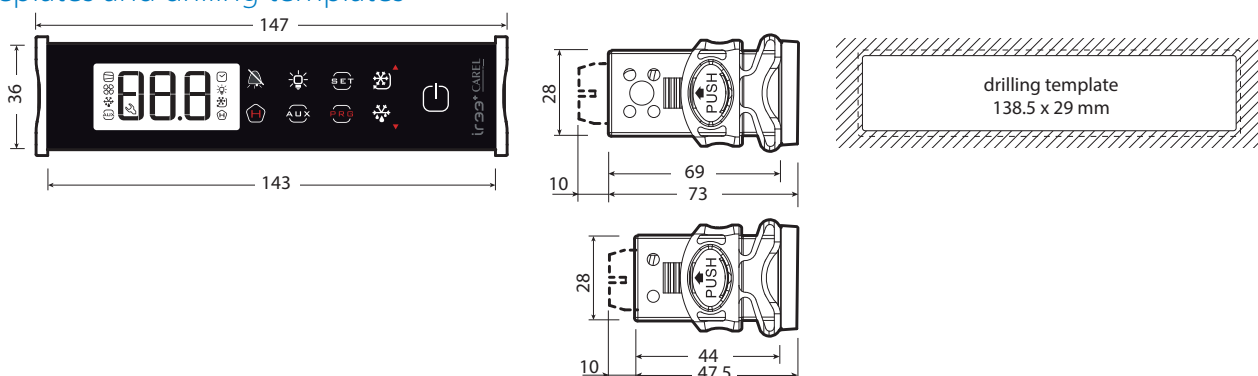
	power supply	inputs	outputs				terminals	LEDs	RTC	VCC
					aux1	PWM				
PBF3D0HCHG	115...230Vac	2 NTC 2 DI	2HP	8A	8A	20 mA 12VDC	spade & plug-in	green	✓	✓

Electrical wiring



MADE IN ITALY

Faceplates and drilling templates



Headquarters ITALY

CAREL INDUSTRIES Hqs.
 Via dell'Industria, 11
 35020 Brugine - Padova (Italy)
 Tel. (+39) 0499 716611
 Fax (+39) 0499 716600
 carel@carel.com

Sales organization

CAREL Asia
www.carel.com
 CAREL Australia
www.carel.com.au
 CAREL China
www.carel-china.com
 CAREL Deutschland
www.carel.de
 CAREL France
www.carelfrence.fr
 CAREL HVAC/R Korea
www.carel.com
 CAREL Iberica
www.carel.es

CAREL India
 CAREL ACR Systems India (Pvt) Ltd.
www.carel.in
 CAREL Nordic AB
www.carel.com
 CAREL Russia
www.carelruussia.com
 CAREL South Africa
 CAREL Controls S.A. (Pty)
www.carelcontrols.co.za
 CAREL Sud America
www.carel.com.br
 CAREL U.K.
www.careluuk.co.uk
 CAREL U.S.A.
www.carelnusa.com

Affiliates

CAREL Czech & Slovakia
 CAREL spol. s.r.o.
www.carel-cz.cz
 CAREL Ireland
 FarrahVale Controls & Electronics Ltd.
www.carel.com
 CAREL Japan Co., Ltd.
www.carel-japan.com
 CAREL Korea (for retail market)
www.carel.co.kr
 CAREL Mexicana S de RL de CV
www.carel.mx
 CAREL Thailand
www.carel.co.th
 CAREL Turkey
 CFM Sogutma ve Otomasyon San. Tic. Ltd.
www.carel.com.tr